



DOSATRON®

WATER POWERED DOSING TECHNOLOGY

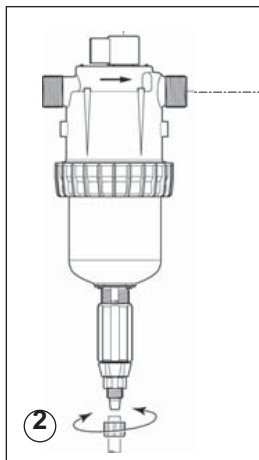
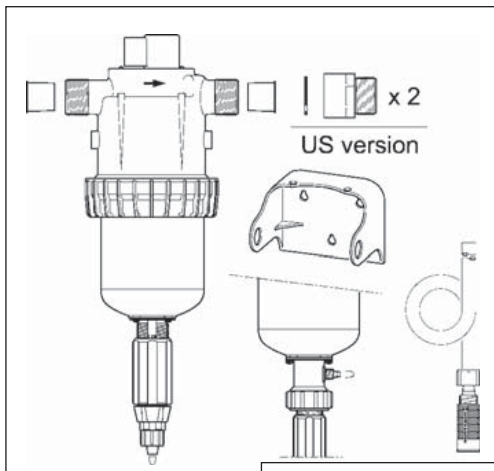
4.5 m³/h - 20 GPM

D 45 RE 3000
D 45 RE 1.5
D 45 RE 3
D 45 RE 8
D 45 RE 1.5 IE
D 45 RE 3 IE
D 45 RE 8 IE

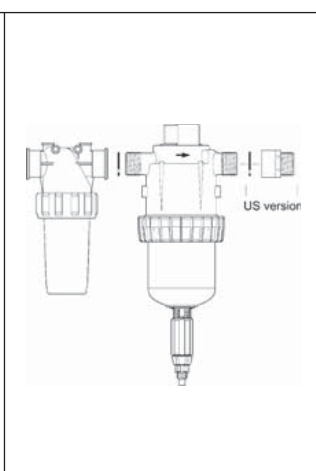
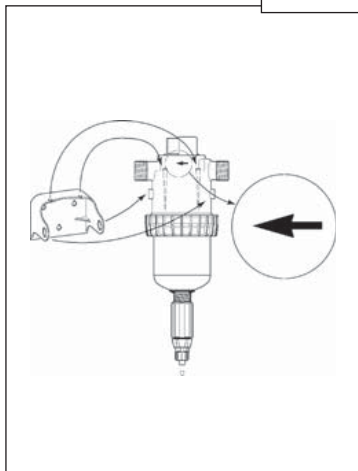


manuel d'utilisation
owner's manual
gebrauchsanweisung
manuale d'uso
manual de utilización
gebruiksaanwijzing

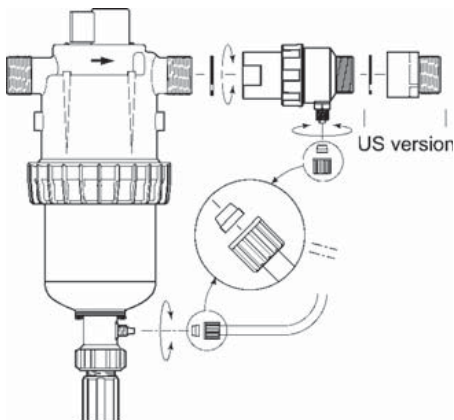
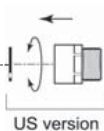
Quick



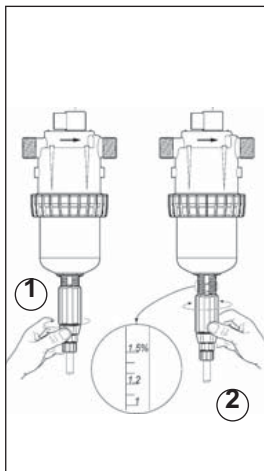
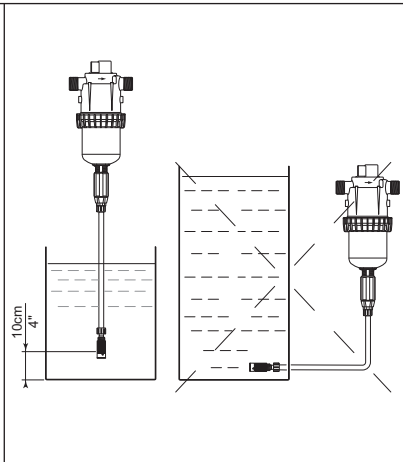
Maxi. : 46



start-up



clics/15 sec.





DOSATRON®

WATER POWERED DOSING TECHNOLOGY

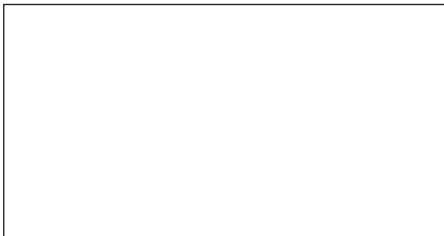
SERVICE CLIENTÈLE
CUSTOMER SERVICE
KUNDENBETREUUNG
SERVIZIO CLIENTI
DEPARTAMENTO CLIENTELA
KLANTENSERVICE

WORLDWIDE - EUROPE :
DOSATRON INTERNATIONAL S.A.S.

Rue Pascal - B.P. 6 - 33370 TRESSES (BORDEAUX) - FRANCE
Tel. 33 (0)5 57 97 11 11
Fax. 33 (0)5 57 97 11 29 / 33 (0)5 57 97 10 85
e.mail : info@dosatron.com - <http://www.dosatron.com>

NORTH & CENTRAL AMERICA :
DOSATRON INTERNATIONAL INC.

2090 SUNNYDALE BLVD. CLEARWATER - FL 33765 - USA
Tel. 1-727-443-5404 - Fax 1-727-447-0591
Customer Service: 1-800-523-8499
e.mail : mail@dosatronusa.com - <http://www.dosatronusa.com>



English

This document does not form a contractual engagement on the part of Dosatron International and is for information only. Dosatron International reserves the right to alter product specification or appearance without prior notice.

© DOSATRON INTERNATIONAL S.A.S. 2006.

You have just become the owner of one of the latest in the line of DOSATRON proportional dosing pumps and we congratulate you on your choice.

The development of this model is the result of over 30 years experience. Our engineers have placed the DOSATRON series at the forefront of technical development in the field of non-electric proportional dosing pumps.

The choice of materials used in manufacture was most meticulous in order to resist chemical attack from the great majority of injectable products on the market. This DOSATRON will, as time goes by, prove itself to be a most faithful ally.

A little care and attention, regularly spent, will guarantee you an operation in which the word breakdown has no place.

**THEREFORE, PLEASE, READ THIS MANUAL CAREFULLY
BEFORE PUTTING THE DOSATRON INTO OPERATION.**

Important !

The complete model reference and the serial number of your DOSATRON is stamped **on the pump body**. Please record this number in the space below and refer to it when you call your distributor for information, parts, and service.

Ref. #.....

Serial #

Purchase Date

.....

D 45 RE 3000	D 45 RE 1.5 D 45 RE 1.5 IE	D 45 RE 3 D 45 RE 3 IE	D 45 RE 8 D 45 RE 8 IE
--------------	-------------------------------	---------------------------	---------------------------

SPECIFICATIONS

Practical operating flow range : **100 l/h mini - 4.5 m³ maxi** [0.4 US GPM - 20 US GPM]

Operating pressure : 0.50 - 5 bar [7 - 70 PSI]

Externally adjustable injection rate :

% ratio	0.3 - 1% 1:3000-1:1000	0.2 - 1.5 1:500 - 1:66	0.5 - 3 1:200 - 1:33	3 - 8 1:33 - 1:12.5
---------	----------------------------------	----------------------------------	--------------------------------	-------------------------------

Concentrated additive injection :

Mini l/h - Maxi l/h US Fl. oz/min - US GPM	0.033 - 4.5 0.017 - 2.54 Fl. oz/min	0.2 - 67,5 0.11 Fl. oz/min 0.30 US GPM	0.5 - 135 0.28 Fl. oz/min 0.60 US GPM	3 - 360 1.70 Fl. oz/min 1.58 US GPM
--	---	---	--	--

Maximum operating temperature : 40 ° C [104 ° F]

Connections : Ø 33 x 42 mm [1"1/4] BSP external thread or US models : **Ø 26.1 mm [1" NPT external thread**

Hydraulic motor capacity (for every 2 clicks of the piston) : about **0.8 l** [0.21 US gallons]

NOTE: The Dosatron is not preset, see chapter ADJUSTING THE INJECTION RATE

UNIT SIZE

Diameter : cm ["]	15.4 [6"1/16] 18.0 [7"1/8]IE	15.4 [6"1/16] 18.0 [7"1/8]IE	15.4 [6"1/16] 18.0 [7"1/8]IE
Total height : cm ["]	52.9 [20"13/16] 59.6 [23"7/16]IE	53.1 [20"7/8] 59.6 [23"7/16]IE	60.4 [23"3/4] 65.5 [25"3/4]IE
Width : cm ["]	18 [7"1/8] 31.5 [12"3/8]IE	18 [7"1/8] 31.5 [12"3/8]IE	18 [7"1/8] 31.5 [12"3/8]IE
Weight : ± kg [lbs]	2.1 [4.6]	2.1 [4.6]	2.1 [4.6]

SHIPPING CONTENTS : 1 DOSATRON/1 mounting bracket for DOSATRON/1 suction tube of concentrated additive/1 strainer/For US models : 2 connectors for inlet and outlet with seals [1» M, NPT Ø 26.1mm]/1 owner's manual/1 external injection suction tube for "IE" model ● **PACKAGE SIZE :** 62 x 26 x 24.5 cm [24»3/8 x 10»1/4 x 9»3/4] ● **PACKAGE WEIGHT :** ~3.2 kg [~7 US lbs]

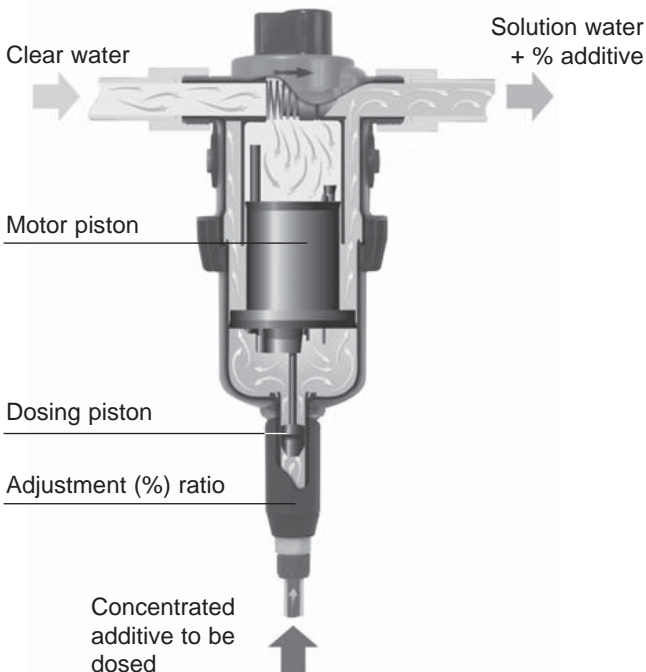
Summary

INSTALLATION	PAGE
Precautions	5
Assembling the Dosatron	7
Installation hints	9
PUTTING INTO ORDER	
Using for the first time	10
MAINTENANCE	
Recommendations	11
Fitting the suction tube	11
How to drain the Dosatron	12
Connecting the external injection	13
Adjusting the injection rate	13
International conversions	14
Changing seals in the injection assembly	14
Changing the motor piston	16
Changing the injection seals	17
TROUBLESHOOTING	18
LIMITED WARRANTY	20
REFERENCE DESIGNATION	21

Precise, simple and reliable

Installed directly in the water supply line, the DOSATRON operates by using water pressure as the power source. The water activates the DOSATRON, which takes up the required percentage of concentrate. Inside the DOSATRON, the concentrate is mixed with the water.

The water pressure forces the solution downstream. The dose of concentrate will be directly proportional to the volume of water entering the DOSATRON, regardless of variations in flow or pressure which may occur in the main line.



Installation

PRECAUTIONS

1 - GENERAL REMARKS

- When connecting a DOSATRON either to the public water supply or to its own water source, you must respect the regulations in force concerning protection of the source i.e. backflow prevention, etc.

- In a case where the water installation is higher than the DOSATRON itself, there is a possible risk of water and concentrate flowing back through the DOSATRON. In this case, installing a non-return valve downstream is recommended.

- Do not install the DOSATRON just above an acid container, (risk of acid fumes attacking the DOSATRON) and protect it from possible contact with corrosive products.

- Protect the DOSATRON from freezing temperatures by draining it and store it away from sources of excessive heat.

- Do not install the DOSATRON on the suction side of the supply pump (risk of siphoning).

- During any intervention the operator must stay in front of the DOSATRON and wear protective eyewear and gloves.

- It is the responsibility of the owner/operator to replace the

injection seals annually to ensure precise injection.

- The setting of the Dosatron's dosing rate is the sole responsibility of the user. The user has to respect the recommendations given by the manufacturer of the chemical product.

- It is the responsibility of the owner/operator to check that the flow and pressure of the installation do not exceed the DOSATRON characteristics.

- It is the responsibility of the owner/operator of the DOSATRON, to determine the correct amount of solution and injection ratio to obtain the desired result.

- An air inlet, an impurity or a chemical attack on a seal can interrupt the dosing function. It is recommended to periodically check that the solution is being correctly drawn up into the DOSATRON.

- Change the suction tube as soon as it seems damaged by the chemical.

- Relieve the pressure after use (advised).

- Rinsing of the DOSATRON is required :

- . when changing chemicals,
- . before handling the DOSATRON, to avoid any contact with the chemical.

PRECAUTIONS (cont...)

1 - GENERAL REMARKS

(cont...)

- **Before applying any aggressive chemicals, please consult your distributor to confirm compatibility with the dosing pump.**
- All assembly should be done without tools, hand tighten only.

2 - WATER WITH HIGH PARTICLE CONTENT

- A (ex. : 300 mesh - 60 microns depending on your water quality) water filter must be installed upstream from the DOSATRON (see accessories), if a filter is not installed abrasive substances will cause the DOSATRON to deteriorate prematurely.

3 - WATER-HAMMER / EXCESSIVE FLOW

- For installations subject to water hammer a protection device such as a check valve or union ball check must be fitted (pressure/flow control system).
- For automatic installations, slow opening and closing solenoid valves are preferable.
- In an installation where a DOSATRON serves several sectors, the closing of one sector and the opening of another sector must be done at the same time (simultaneous operation of the solenoid valves).

4 - INSTALLATION LOCATION

- The location of the DOSATRON and concentrate container should be accessible, but should never present a risk of pollution or contamination.
- It is recommended to label all water lines with a warning about the injected solution i.e. Not For Human Consumption.

5 - MAINTENANCE

- Rinse the injection areas after using the DOSATRON. To do this, insert suction hose into a container of clean water and inject about 1/4 liter [8 1/2 US Fl.oz].
- Routine maintenance once a year will add to the life of your DOSATRON. Replace the injection seals as well as the suction hose annually to ensure proper injection.

6 - SERVICE

- This DOSATRON was tested prior to packaging.
- Complete maintenance and seal kits are available.
- Call your DOSATRON distributor for service or parts.

ASSEMBLING THE DOSATRON

ASSEMBLY SHOULD BE CARRIED OUT WITHOUT TOOLS

The DOSATRON is delivered with:

- a wall support,
 - a suction hose with a strainer.,
- US models : 2 connectors for inlet and outlet with seals.

The bracket enables the DOSATRON to be fixed to a wall. Snap the DOSATRON into the bracket by springing apart the bracket arms until the 2 lugs on the sides and the 2 on the upper pump part (**Fig. 1-A**) click into place (**Fig. 1-B**).

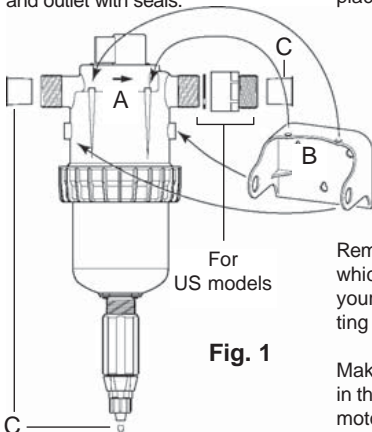


Fig. 1

Remove the plastic caps (**Fig. 1/2-C**) which block the inlet and outlet of your DOSATRON before connecting to the water supply.

Make certain that the water flows in the direction of the arrows on the motor body.

EXTERNAL INJECTION (IE) MODELS

In order to use corrosive concentrates, the external injection model DOSATRON is also delivered with an external injection hose (**Fig. 2-D**).

CAUTION screw in the components carefully !

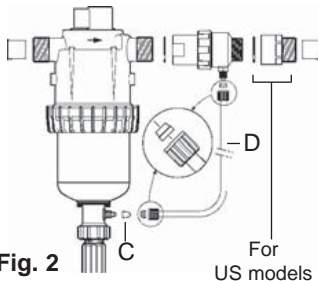


Fig. 2

For US models

ASSEMBLING THE DOSATRON (cont...)

The DOSATRON is delivered with a suction hose (cut it to the needed length) enabling its use with a large capacity concentrate container. The hose must be fitted with its strainer and weights. The instructions for fitting the hose are to be found in the specific chapter.

NOTE : The maximum suction height is 4 meters (13 vertical feet).

Fit the hose, equipped with its strainer and its weight, and immerse it in the solution to be injected.

IMPORTANT ! - Do not put the suction tube strainer on the bottom of the stock solution container. The strainer must be suspended at least 10 cm [4"] above the bottom of the tank to avoid sucking up the insoluble particles that may damage the injection assembly (Fig. 3).

- Do not put the strainer on the ground.

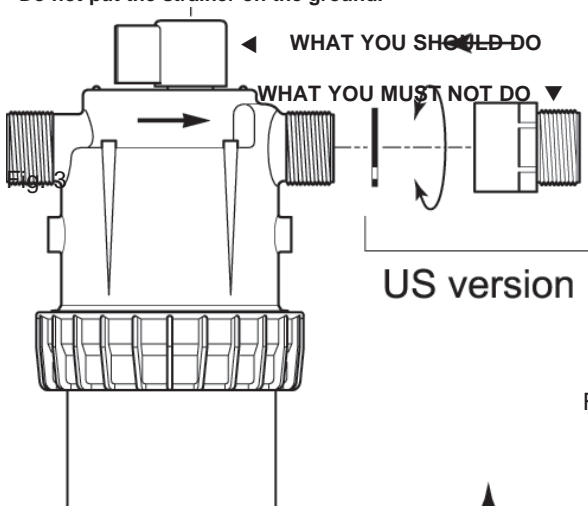


Fig. 4

Under no circumstance should the solution level be above the water inlet of the DOSATRON (to avoid siphoning situations).

INSTALLATION HINTS

The DOSATRON can be connected to the main water line directly (Fig. 5) or on a by-pass (Fig. 6), recommended.

If your flow rate is above the operating limits of the DOSATRON, see EXCESSIVE FLOW.

To prolong the working life of the DOSATRON it is advisable to install a filter (ex.: 300 mesh - 60 microns depending on your water quality) upstream.

This is imperative if the water contains impurities or particles, especially if the water comes from a well.

A filter is recommended and required for the warranty to be valid.

Installing the DOSATRON on a bypass enables clean water to be supplied without operating the DOSATRON and the DOSATRON to be easily dismantled.

When connecting an installation to the public water supply, you must respect the rules and regulations in force in the country.

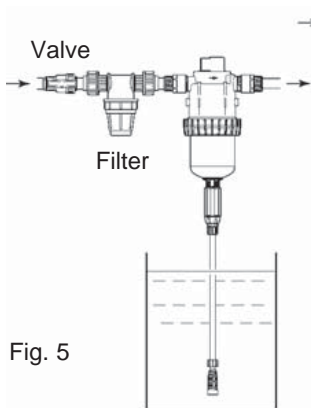


Fig. 5

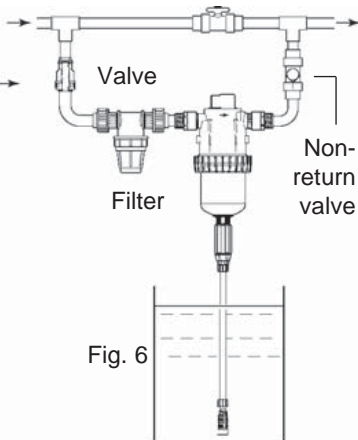


Fig. 6

EXCESSIVE FLOW (as an indication)

If your DOSATRON clicks more than **46 clicks**, that is **23 cycles** in **15 seconds**, you are close to the superior flow limit. If you need more flow, you must install a DOSATRON with a higher flow capacity.

Putting the Dosatron into order

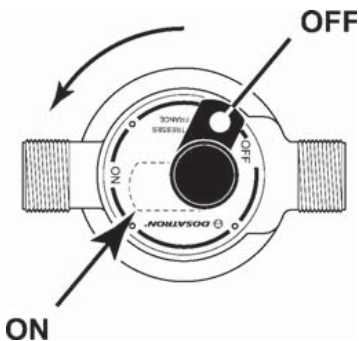
USING FOR THE FIRST TIME

- Switch the bypass button on the top of the DOSATRON to position ON.
- Operate the DOSATRON until the product to be injected is drawn up into the injection stem (the product is visible through the plastic tube).
- The DOSATRON makes a characteristic “click-clack” noise when working.

NOTE : The time required to prime the suction hose depends on the water flow-rate, the ratio setting and the length of the suction hose. To bleed the air from the suction hose and accelerate the priming, set the injection rate at maximum. Once the DOSATRON is primed, adjust to the required injection rate (see § ADJUSTING THE INJECTION RATE).

INTEGRATED BY-PASS

- By-pass in **ON** position : the DOSATRON is sucking, injecting and mixing concentrate into water at the desired percentage.
- By-pass in **OFF** position : the DOSATRON is not working and is not drawing up any concentrate.



Maintenance

RECOMMENDATIONS

1 - When using soluble products to be made up into solutions, we recommend the periodic dismantling of the entire injection part (see : § CLEANING AND REFITTING THE SUCTION VALVE § CHANGING SEALS IN THE INJECTION ASSEMBLY).

Thoroughly rinse all the elements of the injection part with water and re-assemble them after having previously lubricated the seal (**Fig. 7**) with a silicone lubricant, in the case of difficulty in re-fitting.



2 - Before putting the DOSATRON into operation after a non-use period, remove the motor piston and soak it into lukewarm water < 40° C overnight. This helps to dissolve any deposits which may have dried onto the motor piston.

Fig. 7

FITTING THE SUCTION TUBE

If the DOSATRON has already been used, please **imperatively refer to: PRECAUTIONS.**

1 - For D45RE1.5/IE and RE3/IE

- Unscrew the nut (Fig. 8-E) at the bottom of the injection assembly and put it onto the tube.

- Push the tube onto the barbed fitting **as far as it will go** and screw up the nut by hand.

2 - For D45RE3000

- Unscrew the nut (Fig. 8-G) at the bottom of the injection assembly and put it onto the tube.

- Push the tube onto the barbed fitting **as far as it will go** and screw up the nut **by hand.**

3 - For D45RE8/IE

- Loose the clamp (Fig. 8-F) holding the suction hose by means of a screwdriver.

- Push the hose onto the barbed fitting as far as it will go and then fasten the clamp again.

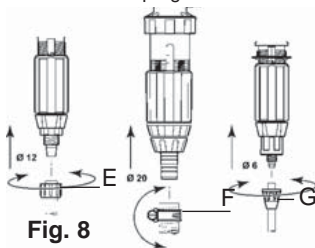


Fig. 8

HOW TO DRAIN THE DOSATRON (In case of freezing temperature)

- Turn off the water supply.
- Remove the injection assembly, see § CHANGING THE MOTOR PISTON.
- Unscrew the pump body nut (**Fig. 10-C**) by hand.
- Disconnect the water inlet and outlet fittings.
- Release the upper pump body (**Fig. 10-P**) from the wall support and remove it.
- Pull out the complete motor piston assembly (**Fig. 10-M**).
- Empty the upper pump body.

IMPORTANT: The reassembly must be done by inserting the motor piston partially into the lower pump body (step 1) (carefully insert the lips of the motor piston) and partially into the upper pump body (step 2), taking care not to damage the pump body seal (**Fig. 10-N**).

- Step 3 : Then assemble and tighten the pump body nut by hand (**Fig. 10-C**).
- Refit the injection part assembly, but not without having cleaned or replaced its sealing.

These steps must be imperatively respected each time the motor piston is handled.

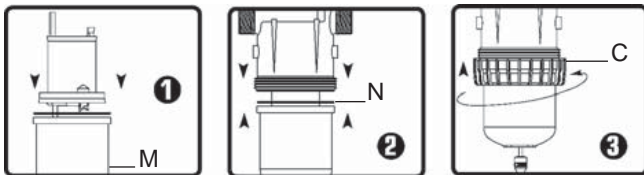
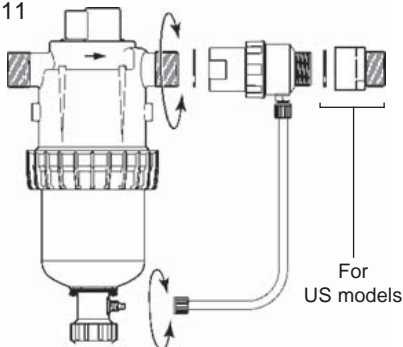


Fig. 10

CONNECTING THE EXTERNAL INJECTION (IE)

Fig. 11



If the DOSATRON has already been used, please imperatively refer to chapter **PRECAUTIONS**.

ADJUSTING THE INJECTION RATE (with pressure off)

IMPORTANT !

Use no tools

ADJUSTMENT MUST BE MADE WHEN THERE IS NO PRESSURE IN THE DOSATRON

- Close the water supply and let the pressure drop to zero.

- Unscrew the blocking ring (**Fig. 12-B**).

- Screw or unscrew the adjusting nut (**Fig. 13-D**) so as to bring the top of the nut into line with the desired injection rate

Tighten the blocking ring (**Fig. 12-B**).

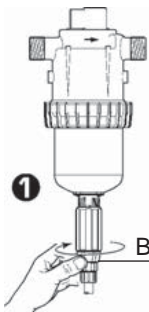


Fig. 12

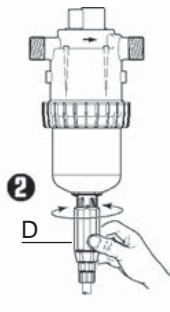


Fig. 13

Model in the drawing : D 45 RE 1.5.

INTERNATIONAL CONVERSIONS

Principle : Setting at 1% \Rightarrow 1/100 = 1 part of concentrate for 100 parts of water.

Ex. : Setting at 2% \Rightarrow 2/100 = 2 parts of concentrate for 100 parts of water.

Ratio \Rightarrow 1/50.

CHANGING SEALS IN THE INJECTION ASSEMBLY (with pressure off)

Frequency : Once per year.

IMPORTANT ! Use no tool or metallic utensils

ADVICE : Before dismantling any part of the injection assembly it is advisable to operate the DOSATRON, injecting clean water so as to rinse through the injection system. In this way, risks of contact with concentrated solutions in the injection assembly are minimized.

During any such intervention, wear protective eyewear and gloves !

METHOD OF REMOVING SEAL

Fig. 14 : Between finger and thumb, pinch the component and the seal ; push towards one side to deform the seal.

Fig. 15 : Increase the deformation to grip the part of the seal thus exposed and pull it out of its groove.

Clean the seal seating without any tools.

Refitting is done by hand.

It is very important that the seal is not twisted once in place as this would impair its efficiency.

Fig. 14



Fig. 15



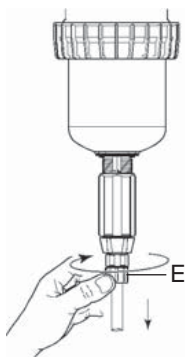
CLEANING AND REFITTING THE SUCTION VALVE

Fig. 16

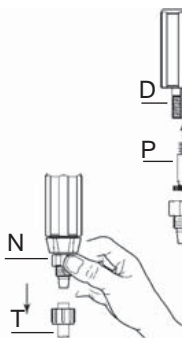


Fig. 17

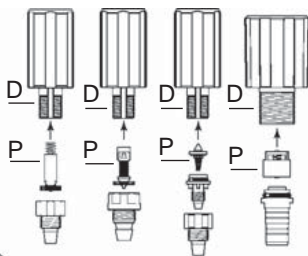


Fig. 18

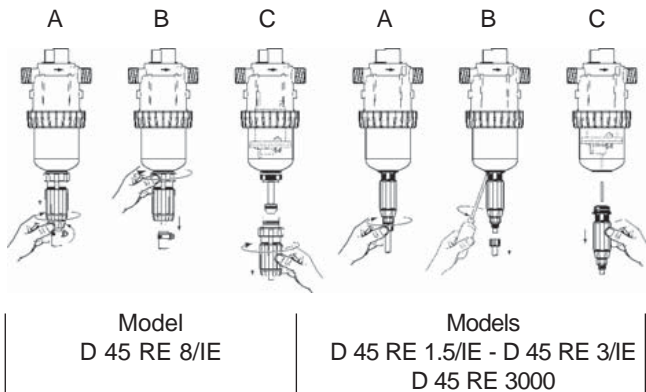
- Close the water supply and let the pressure drop to zero.
- Unscrew the nut (**Fig. 16-E**) and pull downwards to remove the suction hose (**Fig. 17-T**).
- Unscrew and remove the nut (**Fig. 17-N**).
- Pull downwards to remove the suction valve assembly (**Fig. 17**).
- Rinse copiously the different parts with clean water, re-assemble them (**Fig. 18**).
- Refit the suction valve (**Fig. 18-P**), according to the 3 pump types, into the injection stem (**Fig. 18-D**), push as far as it will go.
- Check that the return spring is working.
- Re-assemble in the reverse order to the above **by hand**.

NOTE : For IE models, remove the external injection hose. See **CONNECTING THE EXTERNAL INJECTION**.

CHANGING THE MOTOR PISTON (with pressure off)

- Turn off the water supply and allow the pressure to drop to zero.
- Take off the suction hose (**Fig. 19 A**), and the external injection hose for IE model.
- Unscrew the injection part by hand or by means of a long cruciform screwdriver, according to the dispenser type (**Fig. 19 B**).
- Pull downwards to remove the injection part (**Fig. 19 C**).

Fig. 19



- Unscrew the pump body nut by hand (**Fig. 20-C**) and disassemble pump body.
 - Remove the motor piston (**Fig. 20-M**) by pulling it up.
 - Change and reassemble in the reverse order to the above. To do this, insert the motor piston partially into the lower pump body (step ①) (carefully insert the lips of the motor piston) and partially into the upper pump body (step ②), taking care not to damage the pump body seal (**Fig. 20-N**), then assemble.
 - Step ③: Tighten the pump body nut **by hand**.
 - Refit the injection part assembly, but not without having cleaned or replaced its sealing (**Fig. 20-N**).
- Steps 1 to 3 in (**Fig. 10**) must be imperatively respected each time the motor piston is handled.

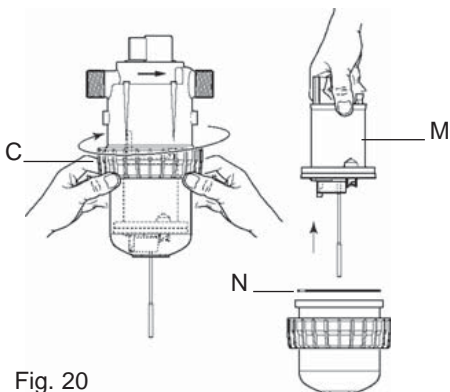


Fig. 20

CHANGING THE INJECTION SEALS

- Change the seals, the suction valve and the barbed fitting.
- To do this, please refer to the drawings of the different models at the end of this manual.
- **Change the seals once a year.**
- Before dismantling the unit, it is advisable to operate the DOSATRON by injecting clean water, in order to avoid any contact with concentrated solutions.
- Close the water supply and let the pressure drop to zero.
- Take off the suction hose of product, remove the injection assembly as described in the previous chapter.
- Pull downwards to remove the injection assembly.
- For IE-models, also remove the external injection hose.
- Re-assemble in the reverse order to the above.

Troubleshooting

SYMPTOM	CAUSE	SOLUTION
Motor piston		
DOSATRON does not start or stops	Piston stalled	Reset piston, by hand
	Maximum flow exceeded.	1. Reduce flow, 2. Check piston valves seals to ensure correct position
	The by-pass is either on OFF position or half opened	Place the by-pass lever in the ON position
	Motor piston is damaged	Return unit to your service center for repair
Injection		
Water flowing back into concentrate container	Contaminated, worn, or missing suction valve parts	Clean or replace them
No suction of concentrate	The motor piston has stopped	See motor piston section
	Air leak (inlet) in the suction hose	Check the tightness between nut and suction hose
	Blocked suction hose or clogged strainer	Clean or replace it
	Missing or worn suction valve seal	Clean or replace it
	Missing or worn plunger seal	Clean or replace it
	Worn injection stem	Replace it

SYMPTOM	CAUSE	SOLUTION
Injection		
Under injection	Suction of air	1. Check the tightness of the nuts in the injection area 2. Check suction hose
	Dirty or worn suction valve seal	Clean or replace it
	Maximum flow exceeded (cavitation)	Reduce flow
	Worn plunger seal	Replace it
	Worn injection stem	Replace it
Leaks		
Leaks in the vicinity of the fixing ring under the pump body	Injection sleeve seal is damaged or positioned incorrectly	Replace it or refit it correctly
Leaks between the adjusting nut and the blocking ring	Injection stem seal damaged, positioned incorrectly or missing	Replace it or refit it correctly
Leaks between the upper and lower pump body	Pump body seal is damaged, positioned incorrectly or missing	Unscrew the 2 pump body parts, clean the seal seating, replace or change the seal.

**THE MANUFACTURER
DECLINES ALL RESPONSIBILITY IF THE DOSATRON
IS USED IN CONDITIONS THAT DO NOT CORRESPOND
TO THE OPERATING INSTRUCTIONS AS INDICATED
IN THIS MANUAL.**

Limited warranty

DOSATRON INTERNATIONAL S.A.S. will provide for replacement of all parts shown to be defective in material or workmanship during a period of twelve months from the date of purchase by the original purchaser. To obtain warranty replacement of a part, the DOSATRON must be returned with original proof of purchase receipt to the manufacturer or authorized distributor and thereafter recognized as defective after examination by the technical services of the manufacturer or distributor.

The DOSATRON must be flushed of any chemical and sent to the manufacturer or distributor prepaid, but will be returned free of charge once repairs are made if found to be covered by the warranty.

Any repairs made under warranty will not extend the initial warranty period. This warranty only covers circumstances where the part has failed due to defects caused by the manufacturing process.

This warranty is invalid if the defects are found to be due to the product's misuse, inappropriate use of tools, lack of maintenance or defective installation or environmental accidents or corrosion by foreign bodies and liquids found within or in proximity to the DOSATRON.

Before using any aggressive chemicals, please consult your distributor to confirm compatibility with the dosing pump. The seals and "o-rings" are not covered under warranty, nor is

damage to the DOSATRON caused by water impurities such as sand.

A filter (ex.: 300 mesh - 60 microns depending on your water quality) must be used in front of the DOSATRON for the warranty to be valid.

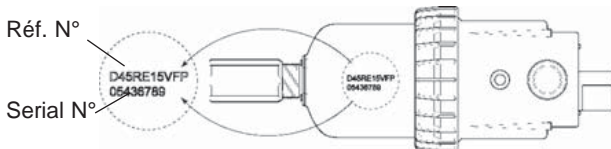
DOSATRON INTERNATIONAL S.A.S. declines any responsibility if the DOSATRON is not used in compliance with the operating instructions and tolerances as indicated in this owner's manual.

This warranty gives you specific legal rights and you may also have other rights which vary from state to state. But any implied warranty or merchantability or fitness for a particular purpose applicable to this product is limited in duration to the time period of this written warranty or any implied warranty.

The manufacturer or authorized distributor shall not be liable for incidental or consequential damage, such as any economic loss, resulting from breach of this written warranty or any implied warranty. There are no warranties, express or implied, which extend beyond those described above, relating in any way to products used in conjunction with DOSATRON INTERNATIONAL S.A.S. products.

Don't hesitate to call your distributor or Dosatron for any after sales service.

Reference Designation

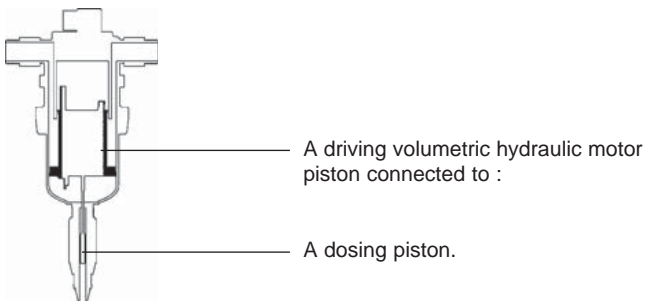


REF.:		Serial #:						
EXAMPLE	D45RE	IE	15	V	AF	P	H	ii
Type of DOSATRON		IE : External Injection		Dosatron model		V : Viscous Products (200-400 cSt)		Injection Seals :
								AF = Advised for alkaline concentrates PH 7-14 VF = Advised for acid concentrates PH 1-7
								Color : - = Blue P = White R = Red V = Green J = Yellow O = Orange
								H = Hastelloy
								Other extensions (consult us)

KNOW YOUR FLOW

A SIMPLE METHOD

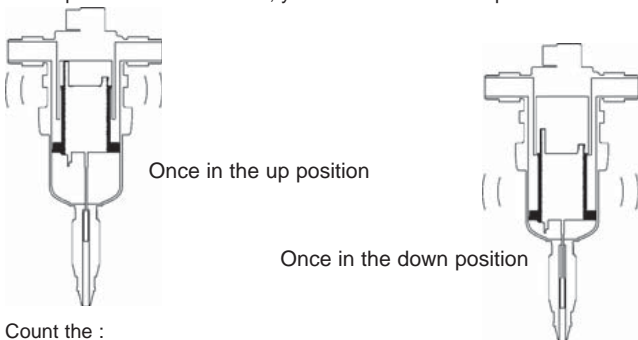
THE DOSATRON IS COMPOSED OF :



The speed of the motor is proportional to the flow of water passing through the system.

The greater the flow the faster it goes.

In its up and down movement, you can hear the motor piston «click» :



Count the :

number of click in 15 sec. x 0.8 x 60 = Flow of water in litres/hour.

2

NOTE: This method of calculation cannot replace a flow meter.
It is given only as an approximate guide.

Annexes

Enclosure

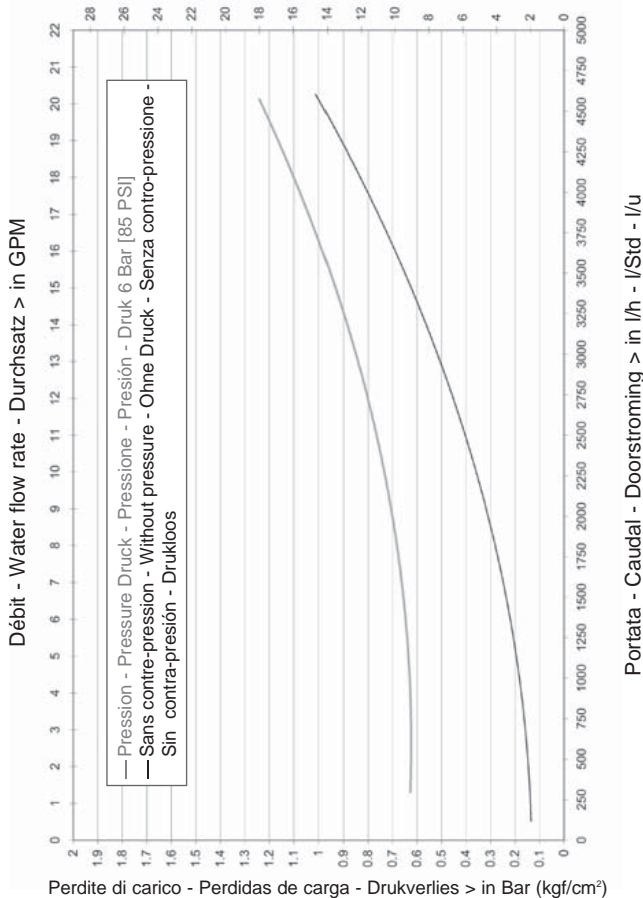
Anhang

Anejos

Allegati

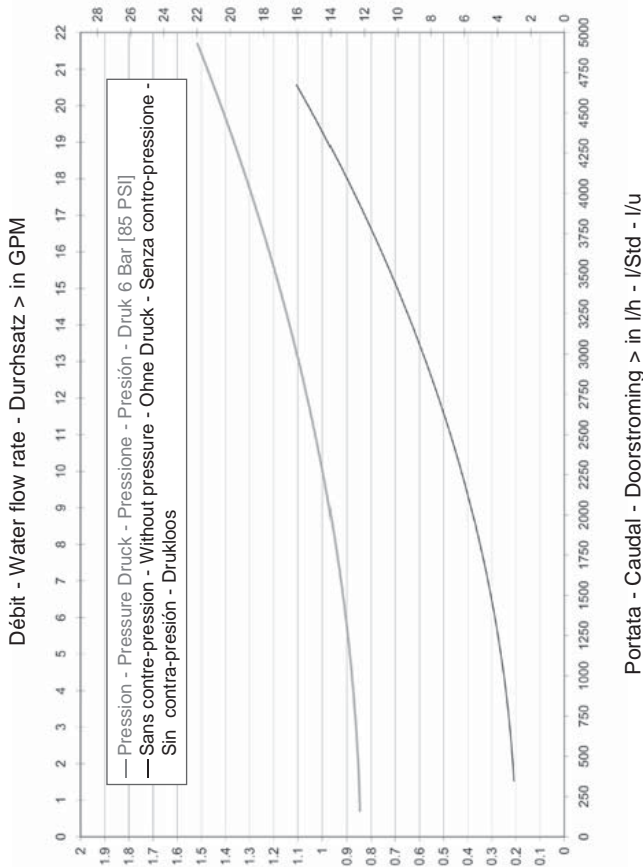
Bijvoegsel

Pertes de charges - Pressure loss - Druckverlust > in PSI



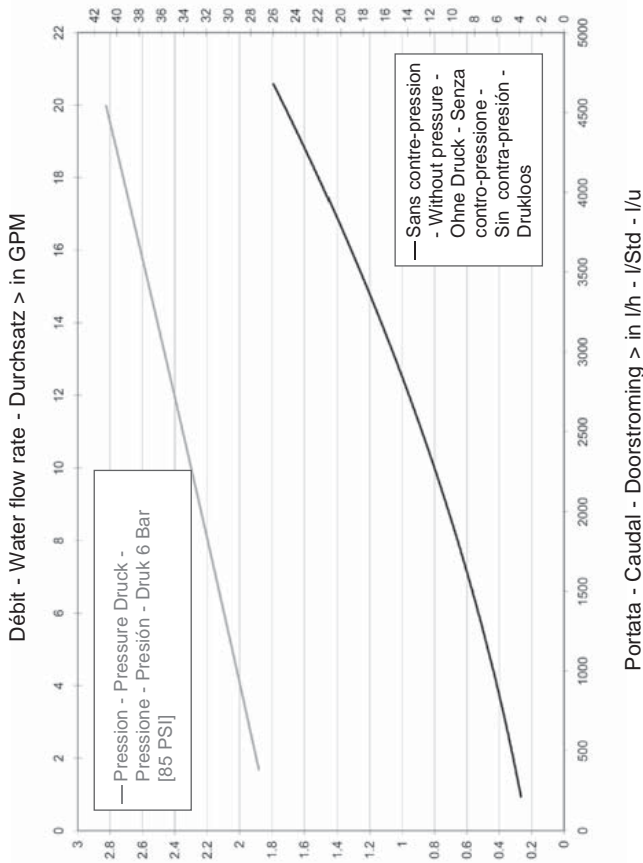
Perdite di carico - Perdidas de carga - Drukverlies > in Bar (kgf/cm²)

Pertes de charges - Pressure loss - Druckverlust > in PSI



Perdite di carico - Perdidas de carga - Drukverlies > in Bar (kgf/cm²)

Pertes de charges - Pressure loss - Druckverlust > in PSI



Perdite di carico - Perdidas de carga - Drukverlies > in Bar (kgf/cm²)

Ce document ne constitue pas un engagement contractuel et n'est fourni qu'à titre indicatif.
La Société DOSATRON INTERNATIONAL se réserve le droit de modifier ses appareils à tout moment.

This document does not form a contractual engagement on the part of DOSATRON INTERNATIONAL and is for information only.
The company DOSATRON INTERNATIONAL reserves the right to alter product specification or appearance without prior notice.

Dieses Dokument ist kein bindender Vertragsbestandteil und dient nur zu Informationszwecken.
Das Unternehmen DOSATRON INTERNATIONAL behält sich das Recht vor, seine Geräte jederzeit zu verändern.

Questo documento non costituisce un documento contrattuale e viene fornito soltanto a titolo indicativo.
La società DOSATRON INTERNATIONAL si riserva il diritto di modificare i propri apparecchi in qualsiasi momento.

Este documento no constituye un compromiso contractual y se suministra solamente a título orientativo.
La sociedad DOSATRON INTERNATIONAL se reserva el derecho de modificar sus aparatos en cualquier momento.

Dit document vormt geen contractuele verbintenis en wordt enkel ter informatie gegeven.
DOSATRON INTERNATIONAL behoudt zich het recht voor zijn toestellen op elk ogenblik zonder voorafgaande informatie te wijzigen.

CE Conformity Statement
Document N° DOCE05050108
This Dosatron is in compliance with the European Directive 98/37/CEE. This declaration is only valid for countries of the European Community (CE).